




USER MANUAL

2020-10

PRODUCT	JOB WALKER
OTHER NAMES	
PART NUMBER / MODEL	S107
CE CONFORMITY	 <p>Regulation EU 2017/745 - Class I medical device - Rule I Annex VIII</p>
MAIN STANDARDS APPLIED	ISO 14971:2012 UNI EN 12182:2012
MANUFACTURER	Neatech.it SRL via A. de Curtis 4/A, 80040, Cercola (NA), Italia Tel. +39 081 555 1946 www.neatech.it – info@neatech.it
INTENDED USE	The product is intended to be used for alleviation or compensation for an injury or disability. Particularly the wheelchair is intended to be used by those groups of users with temporary or permanent mobility difficulties confined to a sitting position who need to move on the beach and other types of impervious surfaces.

INDEX

1. PREPARATION FOR FIRST USE	12
1.1. Unpacking.....	12
2. ADJUSTMENTS.....	19
2.1. Seat depth	23
2.2. Push handles height.....	24
2.3. Push handle depth	25
3. USE OF THE PRODUCT	26
3.1. Use as walker aid	26
3.2. Use as walker aid	27
3.3. Transport and storage.....	28
4. MAINTENANCE	32
4.1. Cleaning.....	32
4.2. Controls to be performed on the product.....	33
4.2.1. Tire circumference	34
4.3. Tire puncture.....	36

4.3.1.	User information	36
4.4.	Reuse	37
4.5.	Spare parts	37
4.5.1.	Footplate	39
4.5.2.	Push handle	40
4.5.3.	Armrest	41
4.5.4.	Backrest sling	42
4.5.5.	Seat sling	43
5.	TECHNICAL SPECIFICATION	44
5.1.	Drawings	45
6.	Assistance and warranty terms	47
6.1.	Warranty terms	47
6.2.	Serial number	49

**WARNING**

This symbol means presence of danger for the user or damage for the product. Always follow instructions when this symbol is present.

**PINCH HAZARD**

This symbol means presence of pinch hazard.

**INFORMATION**

This symbol means general information intended to simplify or best explain the use of the product.

**CONTACT INFORMATION**

This symbol means the need of contacting an authorized service center or the manufacturer.



INCIDENT REPORTING

If an incident occurs, please contact the manufacturer.



In order to obtain product safety notices and product recalls, for example by ensuring the supplier has up-to-date contact details visit the website of the manufacturer.



AUTHORIZED SERVICE CENTER

In order to obtain a list of authorized service center, please contact the manufacturer.



This product and all its components can not be treated as household waste. For more detailed information on how recycling and disposal this product contact your local waste disposal service.



Any unauthorized modification to the product may increase the risk of personal injury and damage to the product itself. All modifications should be done by an authorized service center. Do not use any unauthorized accessories or spare parts on the product.



Do not use the product in combination with other medical devices without first having considered any risk due to combination of more products. Please pay special attention to the combination of flame-resistant and non-flame-resistant materials.



WARNING: It is prohibited to use the product or its parts for any purpose other than that indicated. For a correct use please follow the instructions given in this manual. The manufacturer disclaims any responsibility for damages caused by improper use of the product.



Information in this manual may be subject to change without notice. All information, pictures and specifications are based on the product details that were available at the time of preparation of this document. They are representative examples and they are not intended to be exactly as the actual product.



Service manual is intended for technical personnel to maintain and repair wheelchairs. It is important to follow the instructions contained in this manual in order to professionally work with the product. The qualified personnel who works with the product must comply with all provisions of occupational safety and common sense in order to preserve his own safety. The manufacturer declines all responsibility for any accidents occurring during the working with the product.



TIPPING HAZARD

Tipping hazard is strongly reduced because of the design of the product according to UNI EN 12183. In any case, please pay special attention during the adjustments and use of the product to prevent any damage to the user or product itself. **Any transport on a slope greater than the maximum safety slope can be dangerous. Please don't seat on armrests.**



Center of balance of the wheelchair and so its stability can be affected by user position, use of a backpack, tilting of the seat



TEMPERATURE

The temperature of some surfaces may increase when the product is exposed to external heat sources as direct sunlight.



PINCH HAZARD

Make sure your feet do not hang up or get caught in the space between the footrests. In general, make sure you have proper space in areas you will travel through to minimize pinching or entrapment of body parts.



INFORMATION

For information on how to obtain information and instructions in a format appropriate for use by visually impaired people please contact the manufacturer.



Do not operate the wheelchair if it is behaving abnormally or erratically.



The product is not intended to be dismantled. There are no parts of the product expected to be handled during normal use of it



Do not install, maintain or operate the product without reading all warnings and this entire manual. Always keep this manual in connection with the product.



Do not carry passengers on the wheelchair independently of the age of the passenger. The wheelchair is not designed for weight training and is unsafe for use as a seat while weight training. Do not lean over the top of the back upholstery to reach objects from behind as this may cause the wheelchair to tip over. Do not shift your weight or sitting position toward the direction you are reaching as the wheelchair may tip over. Do not stand on the frame of the wheelchair. **Some pathologies may limit your ability to use your wheelchair safely. Be sure to consult with a doctor about your physical limitations.**



Dealing with uphill

The wheelchair is not intended to deal with uphill. Please pay special attention when dealing with uphill.



Dealing with downhill

The wheelchair is not intended to deal with downhill. Please pay special attention when dealing with downhill.



Don't use the wheelchair up or down slopes with a gradient than indicated in specifications of this manual.

Don't use the wheelchair up or down ramps that are not equipped with proper edge protection to prevent the wheelchair from falling down.

Don't use the wheelchair down or up a hazardous incline if the surface is covered with snow, ice or the surface is uneven.



Dealing with side slopes

The wheelchair is not intended to deal with side slope. Please pay special attention when dealing with side slope.



Turning with the wheelchair

When turning with the wheelchair, always use great caution.



Obstacle climbing

The wheelchair is not intended to face obstacles.



Parking brake

There are no parking brakes on the wheelchair.

Lift of the wheelchair

Do not lift the wheelchair with a user on board. Do not lift the wheelchair grabbing the legrests. If you really need to lift the wheelchair, it is suggested to grab it with the help of at least one other people. Grab the wheelchair using the tubes as shown in figure.

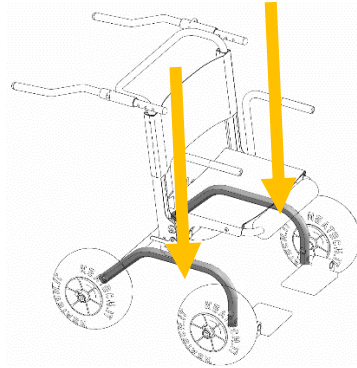


Figure 1



WARNING

It is necessary to grab the frame with both hands in the middle part of seat extruded tubes in order to avoid that the frame can tilt.



WARNING

It is not possible to use the wheelchair as a seat in a motor vehicle.

1. PREPARATION FOR FIRST USE


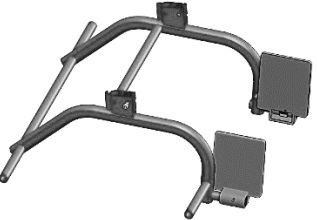
1.1. Unpacking







PACKAGING DISPOSAL



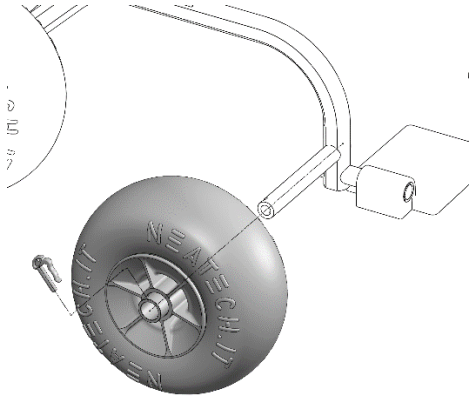
To properly recycle the packaging materials follow instructions provided by your local waste disposal service.

Inside the box there are following parts.

	N. 4 wheels	~1.8 kg x4
	N. 1 chassis	~4.0 kg

	<p>N. 1 upper part of the wheelchair</p>	<p>~5.0 kg</p>
	<p>N. 2 armrests</p>	<p>~1 kgx2</p>
	<p>N. 2 pushing bars</p>	<p>~0.5 kg x4</p>
	<p>N. 6 clips</p>	

Before starting to mount the wheelchair please check if all described components are present. **If not, please contact as soon as possible the vendor. No tools are required to mount the wheelchair. No parts weighted more than 10 kg are intended to be handled during the unpacking of the wheelchair.**

	 <p><u>Average needed time:</u> 15 min</p>  <p><u>Difficulty level:</u> Easy</p>	
 <p>Figure 2</p>		<ul style="list-style-type: none">• Insert the wheel on the axis of the chassis.• Lock the wheel with a fixing clip.• Repeat the operation for all four wheels.

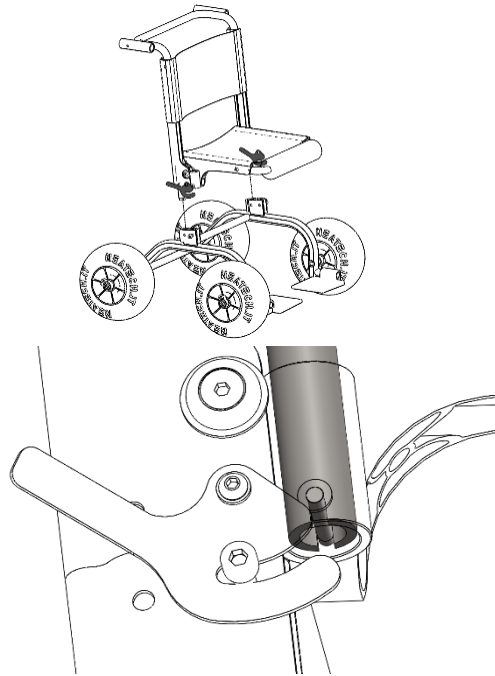
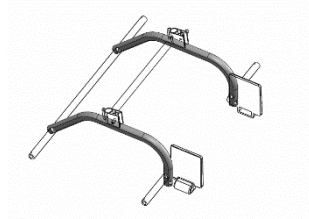


Figure 3

- Insert the upper part of the wheelchair on the chassis.
- Lock the upper part acting on the two handles shown in figure.

WARNING

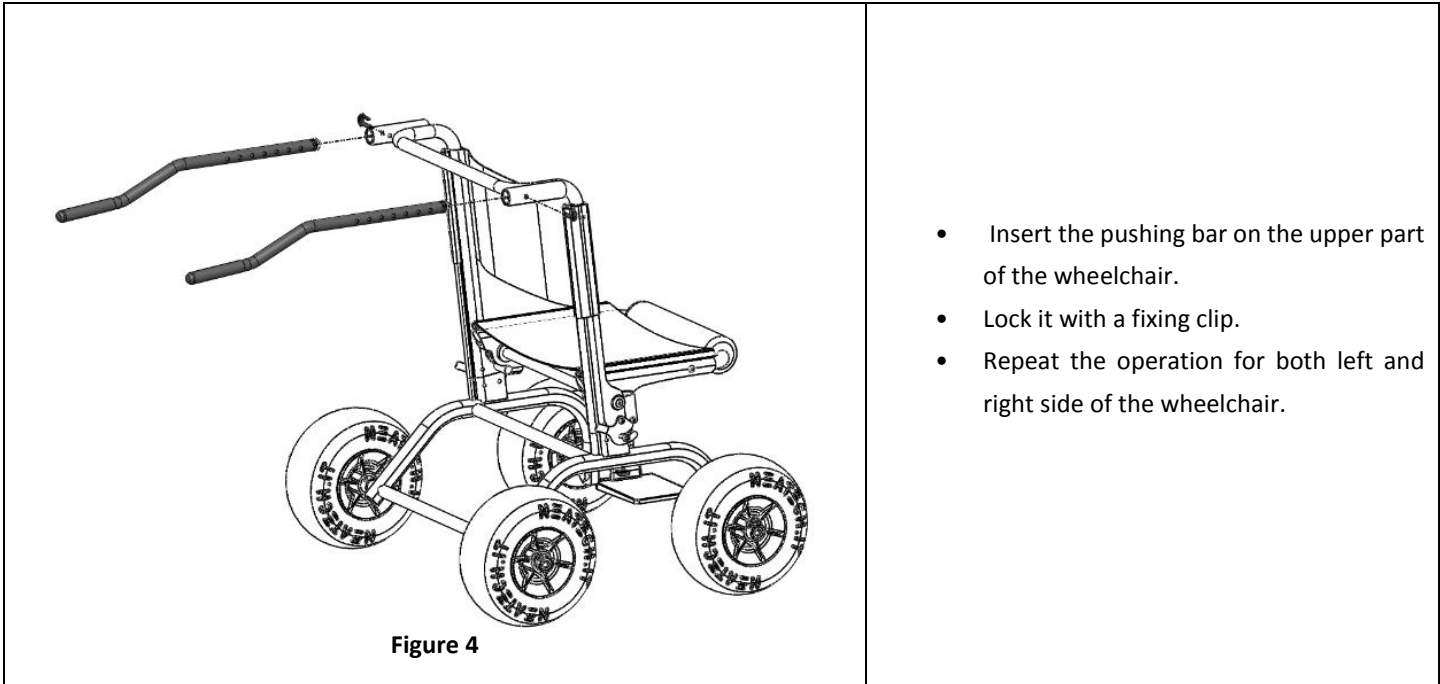
The weight of the chassis of the wheelchair is about 4 kg. Grab it with two hands at the same time on the bars shown in figure.



WARNING

The weight of the upper part of the wheelchair is about 5 kg. Grab it with two hands at the same time on the bars shown in figure.





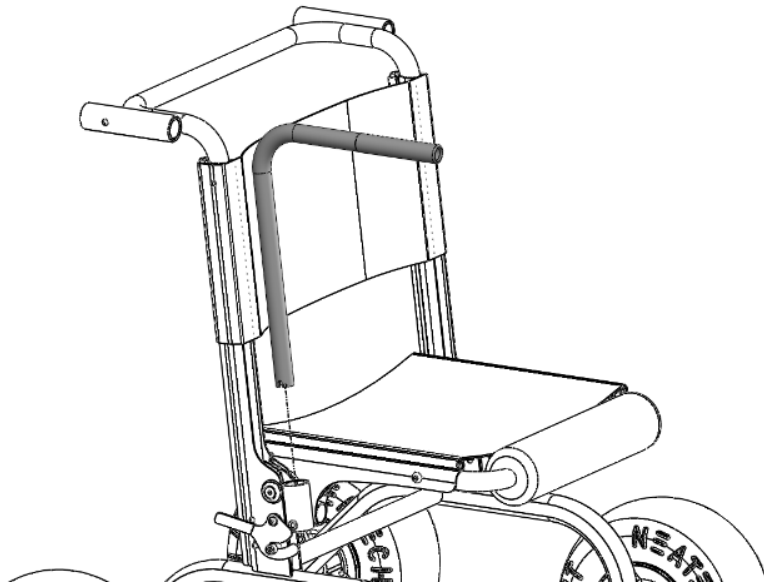


Figure 5

- Insert the armrest on the upper part of the wheelchair.
- Repeat the operation for both left and right side of the wheelchair.

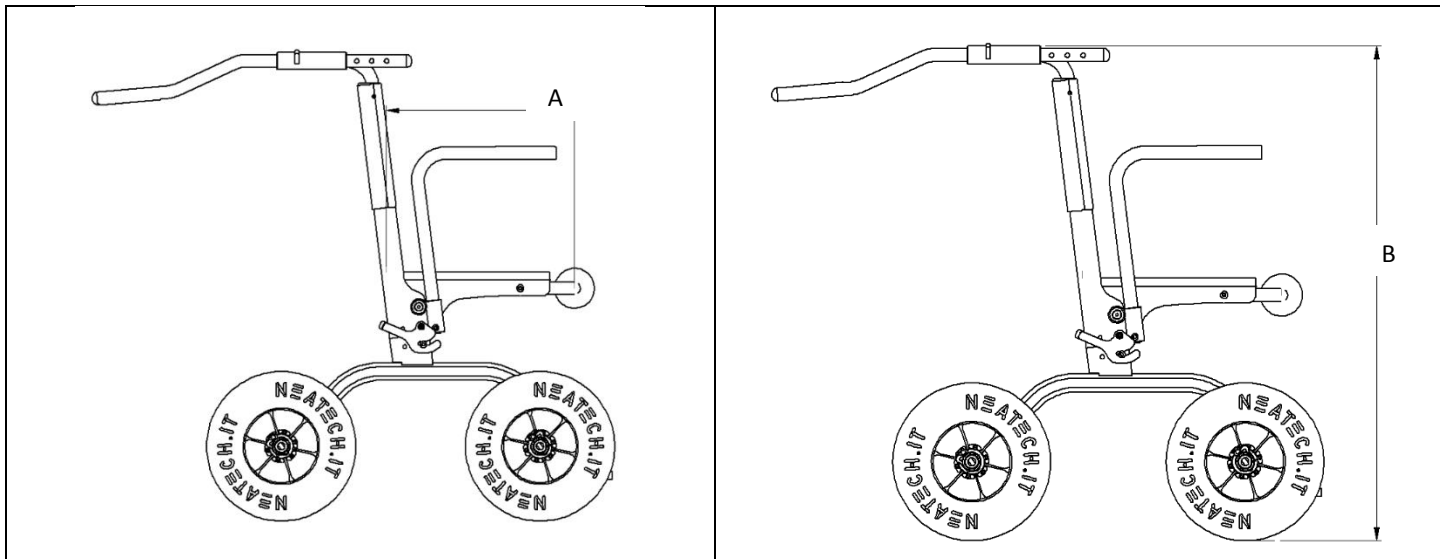
2. ADJUSTMENTS

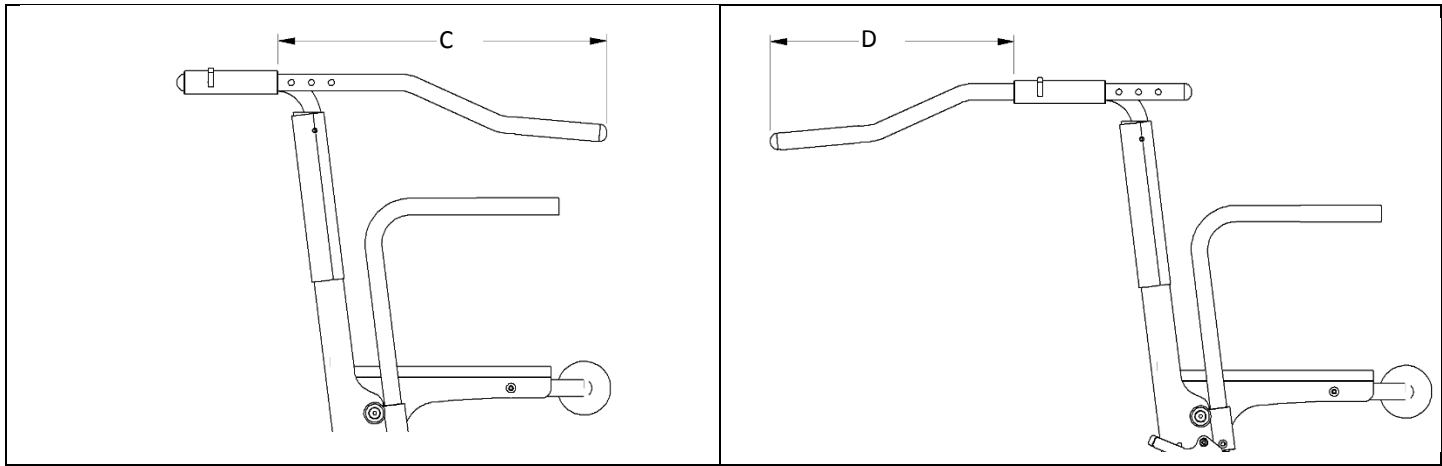
Type of operation	
A	Operation intended to be performed by the user.
B	Operation intended to be performed by an assistant.
C	Operation intended to be performed by an authorized service center.

Adjustment	Type of operation	Dimension* * see drawings in next pages	Possible values
Seat depth	B - Assistant	A	39.0 cm
			41.5 cm
			44.0 cm
Push handle height	B - Assistant	B	94.0 cm
			96.0 cm
			98.0 cm
			100.0 cm
			102.0 cm




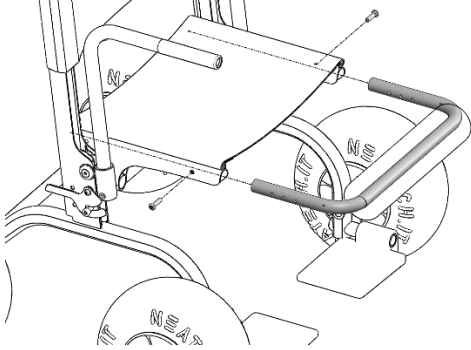
Push handle height	B - Assistant (when used as wheelchair)	C	31.0 cm
			34.0 cm
			37.0 cm
			40.0 cm
			43.0 cm
			46.0 cm
			49.0 cm
	A - User (when used as walker aid)	D	37.0 cm
			40.0 cm
			43.0 cm
			46.0 cm
			49.0 cm
			52.0 cm
			55.0 cm

Table 1





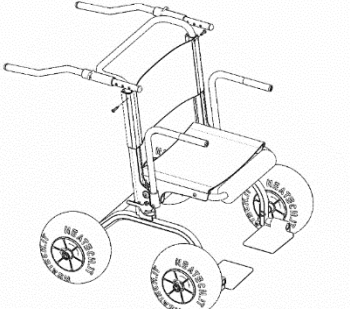








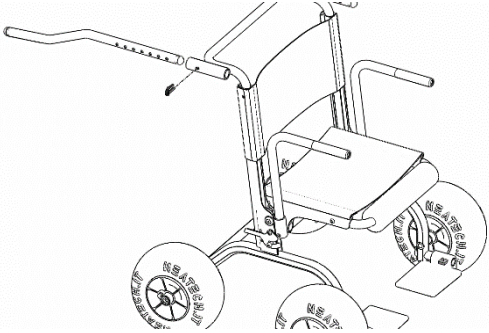
2.1.Seat depth

	 <p>Average needed time: 5 min</p>  <p>Difficulty level: Easy</p>	<p>ALLEN WRENCH</p>  <p>5 mm</p>
	 <p>Figure 6</p>	<ul style="list-style-type: none">• Unscrew the two screws shown in figure.• Pull or push the highlighted bar to adjust the seat depth.• Screw again the two screws.

2.2.Push handles height

	 <p>Average needed time: <5 min</p>  <p>Difficulty level: Easy</p>	<p>ALLEN WRENCH</p>  <p>5 mm</p>
 <p>RIGHT AND LEFT SIDE It is possible to adjust separately left and right side.</p>		
 <p>Figure 7</p>		<ul style="list-style-type: none">• Unscrew the screw shown in figure.• Repeat the operation for both left and right side of the wheelchair.• Adjust the height of the push handles.• Screw again the two screws.

2.3.Push handle depth

	 <p>Average needed time: <5 min</p>  <p>Difficulty level: Easy</p>	<p>ALLEN WRENCH</p>  <p>5 mm</p>
 <p>RIGHT AND LEFT SIDE It is possible to adjust separately left and right side.</p>		
 <p>Figure 8</p>		<ul style="list-style-type: none">• Remove the fixing clip.• Adjust the depth of the push handle.• Lock again the push handle with the fixing clip.

3. USE OF THE PRODUCT

3.1. Use as walker aid

It is possible to use the product as a walker aid.

Flip up the seat.

Flip up the footplates.

Put the push handles as shown in figure.

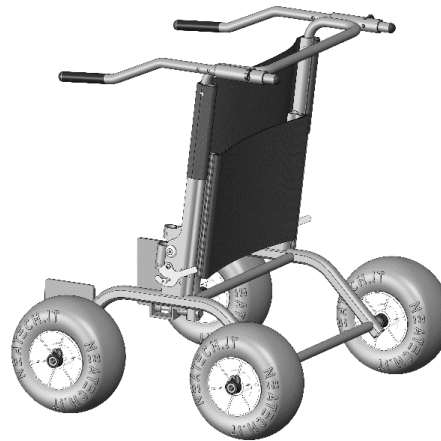


Figure 9

3.2. Use as walker aid

It is possible to use the product as a wheelchair.

Low down the seat.

Low down the footplates.

Put the push handles as shown in figure. To move the push handles see section



Figure 10

3.3. Transport and storage

It is possible to store the product in a place with a temperature between -20 °C and +45 °C.

The product can be transported in the storage compartment of the vehicle even without any package. The product can be also shipped via air. If it is necessary to ship the product it is very important to protect it with an appropriate package.

It is not possible to provide a universal package, so the user should provide himself for it. The used package must be water and dust resistant and strong enough to protect the product from any hurts. When inserting the product into the package protect any protruding parts with some foam or similar.

If you are not willing to use the wheelchair for a long period, keep it safe in a clean area and away from heat.

In order to facilitate the transport of the wheelchair, it is possible to perform following operations.

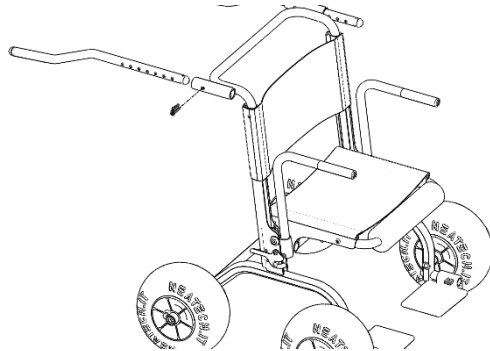


Figure 11

- Remove the fixing clip.
- Remove push handles.
- Repeat operations for both left and right side of the wheelchair.

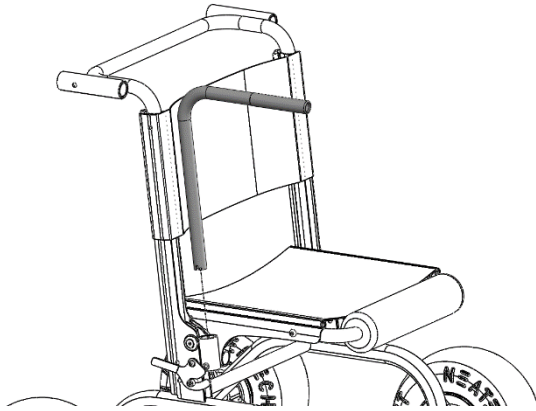


Figure 12

- Remove armrests

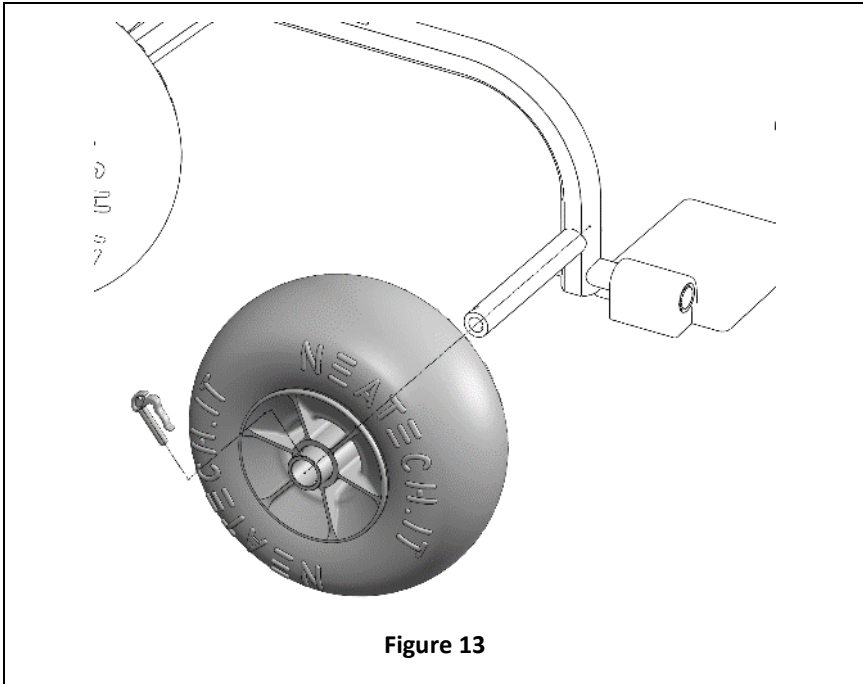


Figure 13

- Unlock the wheel with a fixing clip.
- Remove the wheel on the axis of the chassis.
- Repeat the operation for all four wheels.

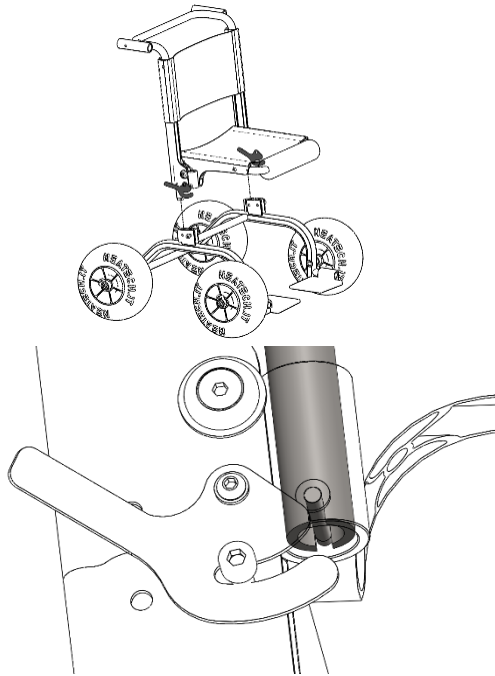


Figure 14

- Unlock the upper part acting on the two handles shown in figure.
- Remove the upper part of the wheelchair on the chassis.

4. MAINTENANCE

Regular maintenance helps to keep intact the functionality and safety of the product. Inadequate or lack of care and maintenance may cause a limitation of the warranty. Avoid prolonged contact of the wheelchair with water. It may cause oxidation of the metal parts. Avoid long exposure of the wheelchair to direct sunlight.



WARNING

Any work on the product must be performed by an authorized service center.

4.1. Cleaning



WARNING

To clean the product do not use high-pressure water spray devices. Do not use stain removers, solvents, acids.

PLASTIC AND METAL PARTS

Simply use a cloth moistened with a neutral detergent.

UPHOLSTERY



Machine wash in hot water at 60 °C



Drip dry



Do not wring





Do not bleach

4.2. Controls to be performed on the product

Type of operation	
A	Operation intended to be performed by the user.
B	Operation intended to be performed by an assistant.
C	Operation intended to be performed by an authorized service center.

Operation	Frequency	Type of operation
Check if fixing clips of pushbars are correctly positioned before each use as walking aid.	Before each use as walking aid	B - Assistant
Clean the wheelchair	Weekly	B - Assistant
Check the circumference of tires	Weekly	B - Assistant
Check tire usury	Monthly	B - Assistant
Check all adjustment screws	6 months	B - Assistant

4.2.1. Tire circumference

	 <p><u>Average needed time:</u> 5 min</p>  <p><u>Difficulty level:</u> Easy</p>	
--	---	--

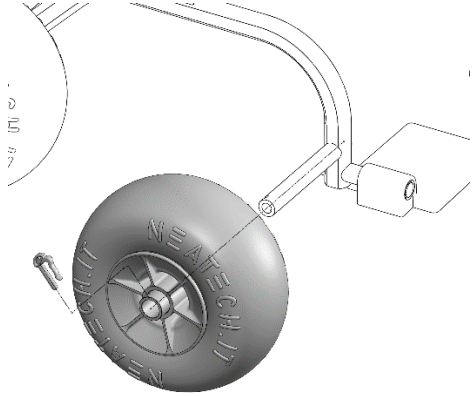
 <p>Figure 15</p>	<ul style="list-style-type: none">• Remove the fixing clip• Remove the wheel.
---	--



Figure 16

- Make sure that the circumference of the wheel is between 81 cm and 84 cm. If not inflate or deflate the wheel until its circumference is in the recommended range.
-

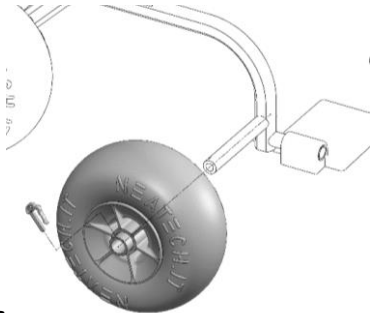


TYRE CIRCUMFERENCE

It is really important that tyre circumference is between 81 cm and 84 cm.

4.3. Tire puncture

4.3.1. User information

 <p>Traction wheels</p> <p>Figure 17</p>	<ul style="list-style-type: none">• Remove the fixing clip• Remove the wheel• Clean damaged surface with ethylic alcohol.• When surface is dry; apply few drops of a glue for rigid PVC.• Wait some minutes to let glue dry and inflate the wheel. Remove the wheel.
--	--



TYRE CIRCUMFERENCE

It is really important that tyre circumference is between 81 cm and 84 cm.

Code	Description	Type of operation
R107-0010	Wheel	A

4.4.Reuse

The product is suitable for reuse. Before dispensing it, the product must be cleaned, and subjected to maintenance. The operating instructions are included in this manual and must also be provided when the product is passed on.



WARNING

This operation must be performed only at an authorized service center.

4.5.Spare parts

Type of operation

A	Parts that can be bought at an authorized service center and substitute autonomously
B	Parts that need to be substituted at an authorized service center.

Table 2

Code	Description	Type of operation
R107-0010	Wheel	A
R107-0020	Footplate	A
R107-0030	Front seat padding	A
R107-0040	Push handle	A
R107-0041	Pushbar/armrest padding	A

R107-0050	Armrest	A
R107-0070	Backrest sling	A
R107-0080	Seat sling	A
R107-0090	Pelvic belt	A

Table 3



WARNING

The use of spare parts or accessories not approved by the manufacturer may make the wheelchair unstable or uncontrollable. For each order, always contact an authorized service center.



CONTACT INFORMATION

For any other part not described in this manual please contact the manufacturer.

4.5.1. Footplate



Average needed time:
5 min



Difficulty level:
Easy

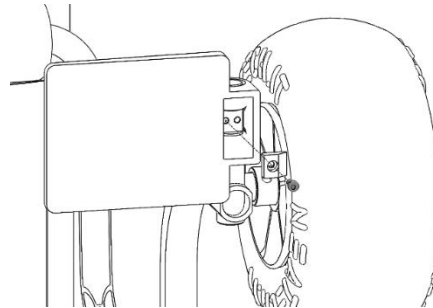
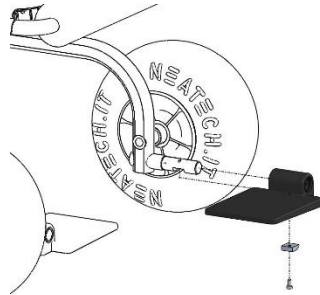


Figure 18

- Unscrew the screw shown in figure.
- Substitute the footplate.
- Screw again the screw.

ALLEN WRENCH



5 mm

4.5.2. Push handle



Average needed time:

5 min



Difficulty level:

Easy

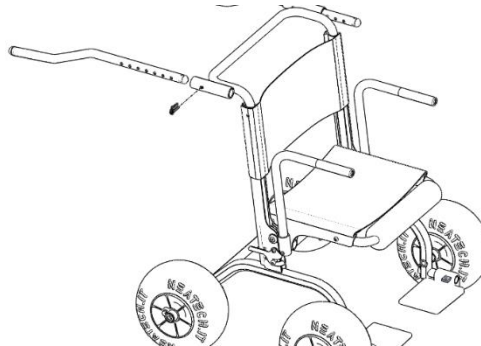


Figure 19

- Remove the fixing clip.
- Substitute the push handle.
- Lock the push handle with fixing clip.

4.5.3. Armrest



Average needed time:

5 min



Difficulty level:

Easy

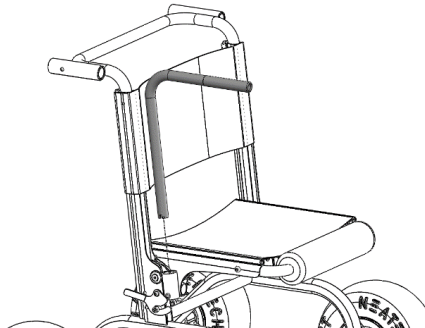


Figure 20

- Remove the old armrest.
- Mount the new armrest

4.5.4. Backrest sling



Average needed time:

5 min



Difficulty level:

Easy

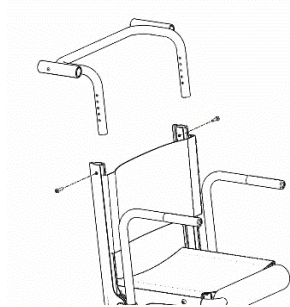


Figure 21

- Remove push handles. See section 4.5.2.
- Unscrew the screws shown in figure.
- Remove backrest upper bar.
- Substitute the backrest sling and mount all pieces following instructions in reverse order. Lock the push handle with fixing clip.

ALLEN WRENCH



5 mm

4.5.5. Seat sling



Average needed time:

5 min



Difficulty level:

Easy

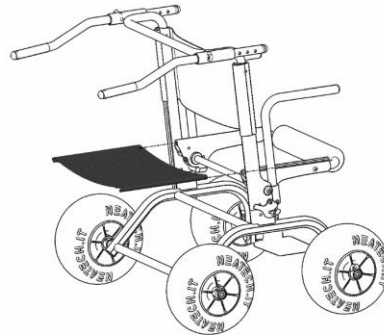


Figure 22

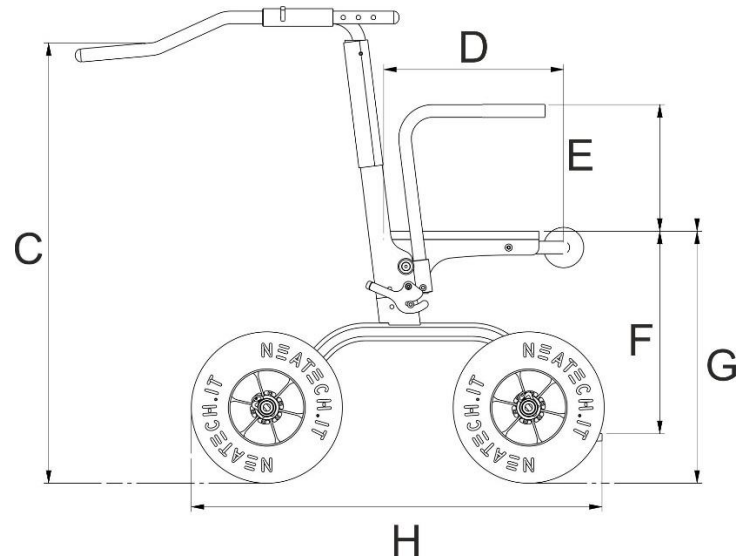
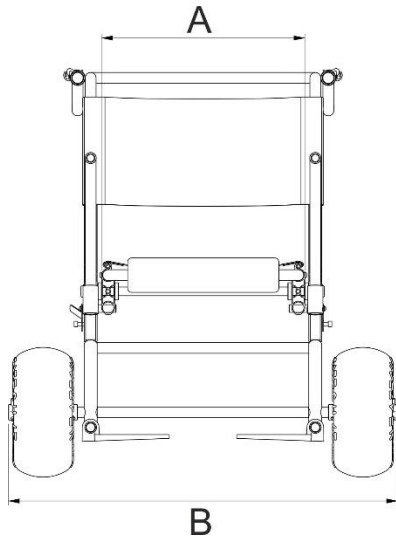
- Low down the seat.
- Swipe the old seat sling.
- Mount the new seat sling Lock the push handle with fixing clip.

5. TECHNICAL SPECIFICATION

Mass of test dummy used in the test	~100.0 kg
Total mass (min-max) [kg]	~20.0 kg
Maximum user mass	100 kg
Overall dimensions (width, length and height) ready for use and when folded or dismantled (mm) (min-max)	Height: MIN: 880 mm – MAX 960 mm Width : 900 mm Length with legrest: 380 mm Folded device: Height: 430 mm Width : 900 mm Length with legrest: 753 mm
Seat plane angle (min-max) [°]	MIN 0° - MAX 90°
Effective seat depth (min-max) [°]	MIN: 390 mm – MAX: 440 mm
Seat surface height at front edge (min-max) [mm]	480 mm
Backrest angle (min-max) [°]	90°
Backrest height (min-max) [°]	400 mm
Footrest to seat distance (min-max) [mm]	360 mm
Leg to seat surface angle (min-max) [mm]	90°
Armrest to seat distance (min-max) [mm]	250 mm

The wheelchair conforms to requirements for resistance to ignition in accordance with ISO 7176-16 [yes-no]	Yes
Expected lifetime of the assistive product [years]	5
Operating temperature	MIN -10 °C – MAX +40 °C
Storage temperature	MIN -20 °C – MAX +45 °C

5.1. Drawings



A	460 mm
B	900 mm
C	MIN 880 mm MAX 960 mm
D	MIN 390 mm MAX 440 mm
E	250 mm
F	360 mm
G	480 mm
H	380 mm

6. Assistance and warranty terms

6.1. Warranty terms

Definitions

- **MANUFACTURER**: Manufacturer means the legal person who manufactures a product. For the scope of the following document, the manufacturer is:

Neatech.it s.r.l.

via Antonio de Curtis 4/A – 80040 – Cercola (NA)

Tel. +39 081 555 1946 – info@neatech.it – neatech@pec.it – www.neatech.it

P.IVA IT04812481218 – REA NA715393

- **CUSTOMER**: Customer means the natural or legal person who buys a product from the manufacturer. For the scope of the following document, the Customer is the holder of the financial document issued by the manufacturer following the supply of the product.
- **PRODUCT**: Product is the good supplied by the manufacturer to the customer in execution of a purchase order

Scope of the guarantee

The manufacturer undertakes to remedy any defect, lack of quality or lack of conformity of the products related to him as a result of design, construction errors or defects in the material that occurred during the warranty period.

Period of application of the guarantee

The warranty period begins with the customer's billing date. The duration of the warranty period varies according to the type of product.

Type of product	Warranty period [months]
Manual wheelchairs	24
Wheelchair parts and accessories (excluding batteries)	24

Table 4

Any repairs or replacements under warranty do not alter the original period of application of the warranty.

Exclusions

The warranty does not cover wearing parts.

Following there are some examples of parts subject to wear.

- Wheels
- Padded parts (polyurethane foams, viscoelastic)
- Upholstery (including canvas)
- Handles and knobs
- Fuses and bulbs
- Electric motor brushes
- Filters

The warranty is limited to damage related to the product and cannot under any circumstances cover damage caused to third parties as a result of product failure.

The warranty does not cover parts damaged by overload, inappropriate use, alterations and repairs made by unauthorized third parties. The warranty is not valid in the event of tampering, incorrect storage, incorrect or unauthorized maintenance.

6.2.Serial number

For any report or assistance request, please communicate the serial number mentioned on the label in the position shown in figure.

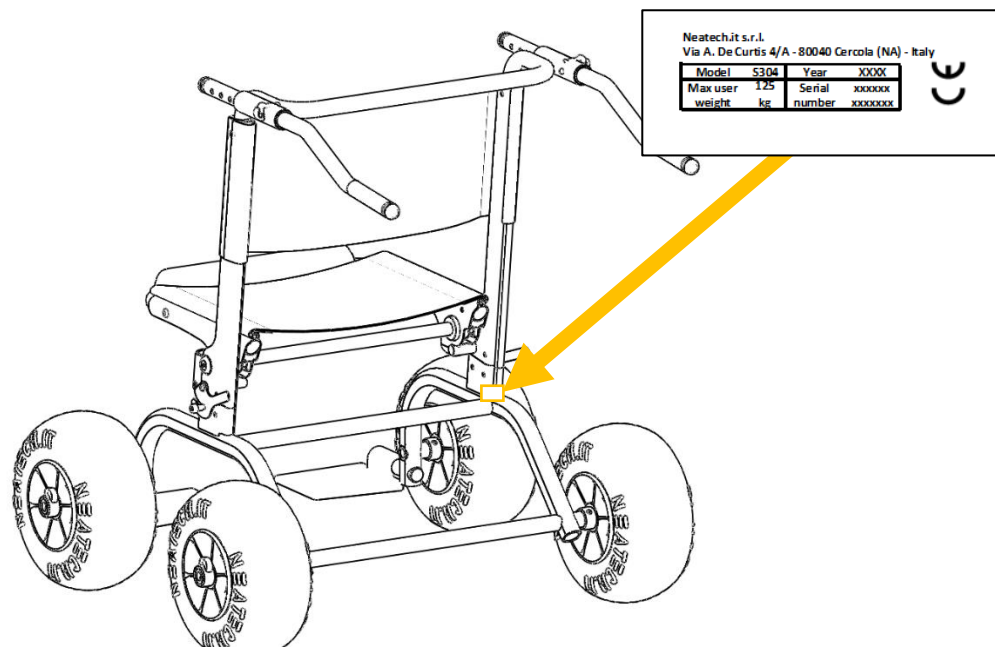


Figure 23

Note

Neatech.it s.r.l.
Via A. De Curtis 4/a
80040 Cercola (Na) Italy
ph. +39 081 5551946
fax +39 081 5552507
e-mail info@neatech.it
www.neatech.it