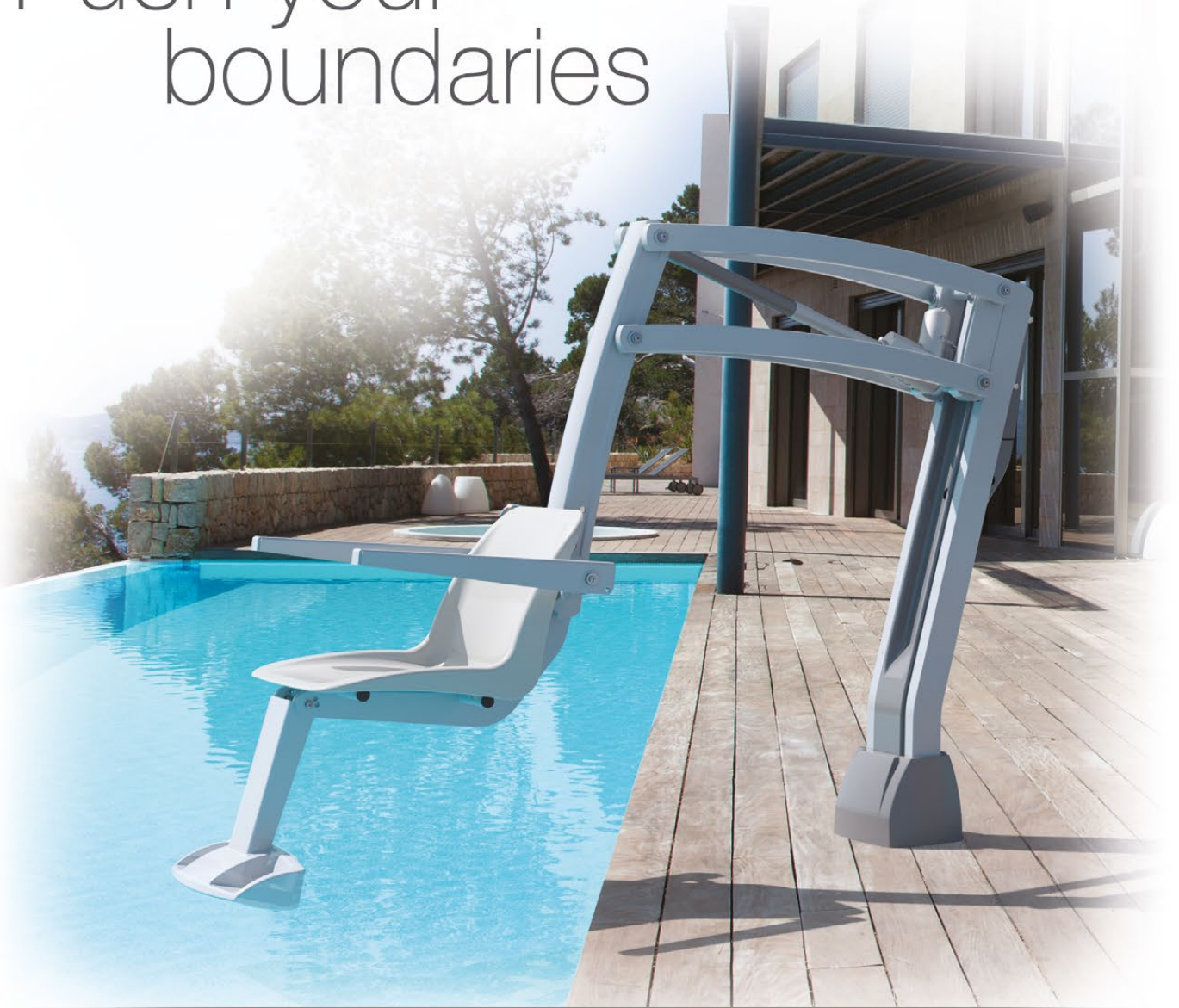




i-swim3

Push your boundaries



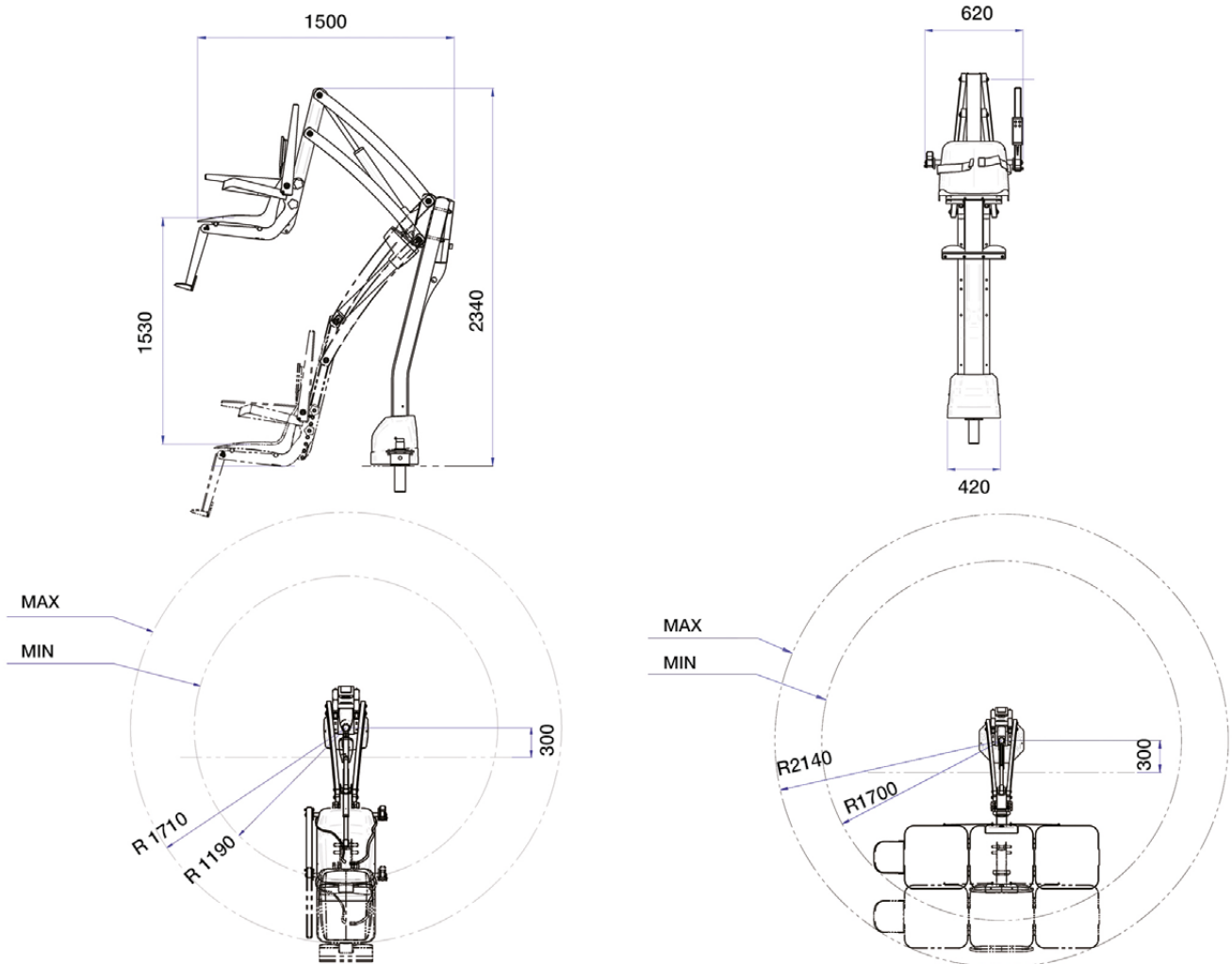
i-swim3 – the innovative pool lift, adaptable to your needs

The unique movable arms system provides multiple configurations and great flexibility. I-swim3 is the smart solution for a wide range of pool decks, wellness and rehabilitation centers.

i-swim 3 is available in 2 different sizes: STANDARD with 180 kg lifting capacity, or MAXI with extended arms and 250 kg capacity.

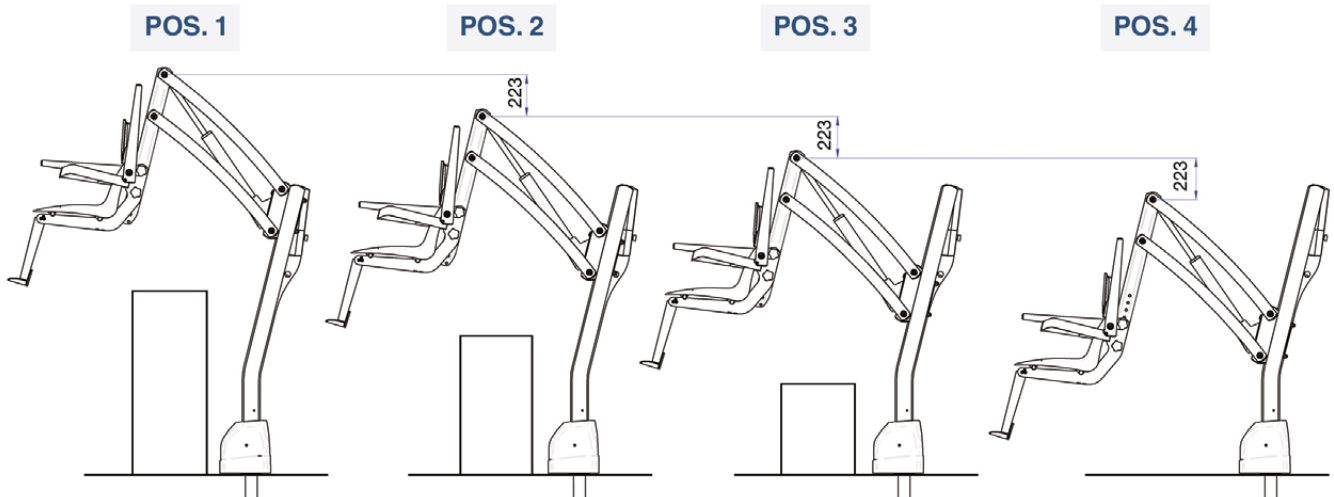
The lift can be equipped with a fix seat, movable seat or with a stretcher as well.

Dimensions



Configurations

The arms can be set in 4 different positions to configure the device for different pool decks.



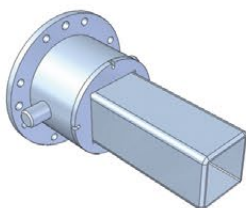
Lift Models

Model	Description	Lifting Capacity	Max Travel
W80220002-01	i-swim3 Standard	180 kg	1530 mm
W80220002-02	i-swim3 MAXI	250 kg	1530 mm

Lift Fixation

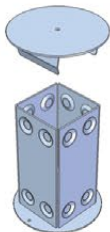
The lift fixation kit has to be ordered separately and customer can choose between a square foot or a round foot.

SQUARE FOOT



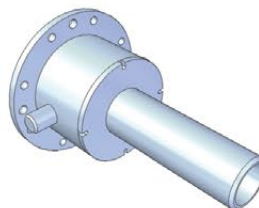
W8022100
W8022157 (MAXI)

SQUARE FOOT ANCHORE



On request

ROUND FOOT



W8022140
W8022160 (MAXI)

ROUND FOOT ANCHORE



W8022165

Water access

In addition to the chosen lift Model the customer can order separately a different seat model or the stretcher. Thereby the same lift can be quickly configured for different needs.

FIX SEAT



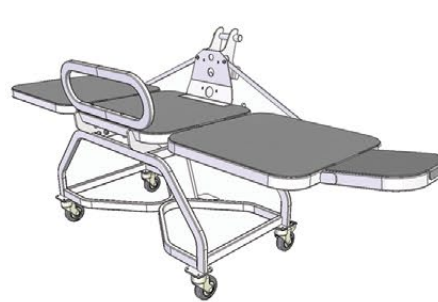
Part W8022531

MOBILE SEAT



Part W8022568

STRETCHER



Part W8022698



GENERAL TECHNICAL DATAS

Structure	Aluminum / Stainless Steel
Rotation	360°
Coating	Powder Coating
Lifting capacity	180 kg / 250 kg MAXI
Tension	24V
Battery charger	included
Battery duration	50 cycles
Controls	4 buttons Pendant Switch
	Emergency stop
	Battery load indicator

I-Swim complies the following regulations:

Directive 2006/42/CE
 Directive 2004/108/EC
 UNI EN ISO 10535
 93/42/CEE

Machine Directive
 EMC Electromagnetic Compatibility
 Hoist For The Transfer of Disabled Persons
 Medical Device Directive