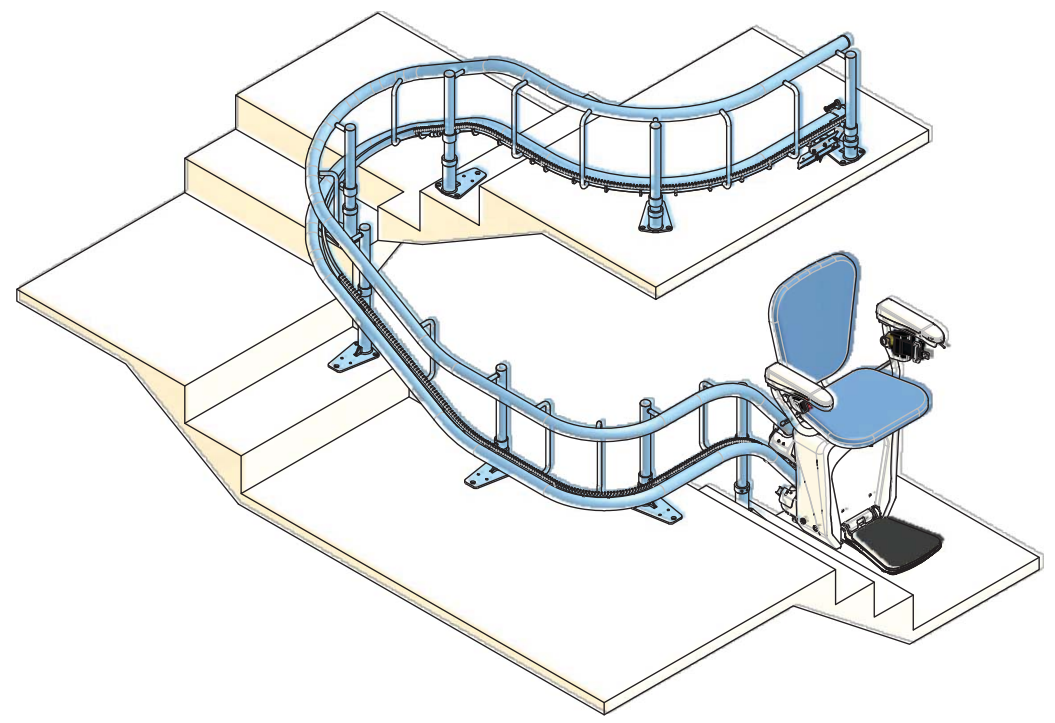
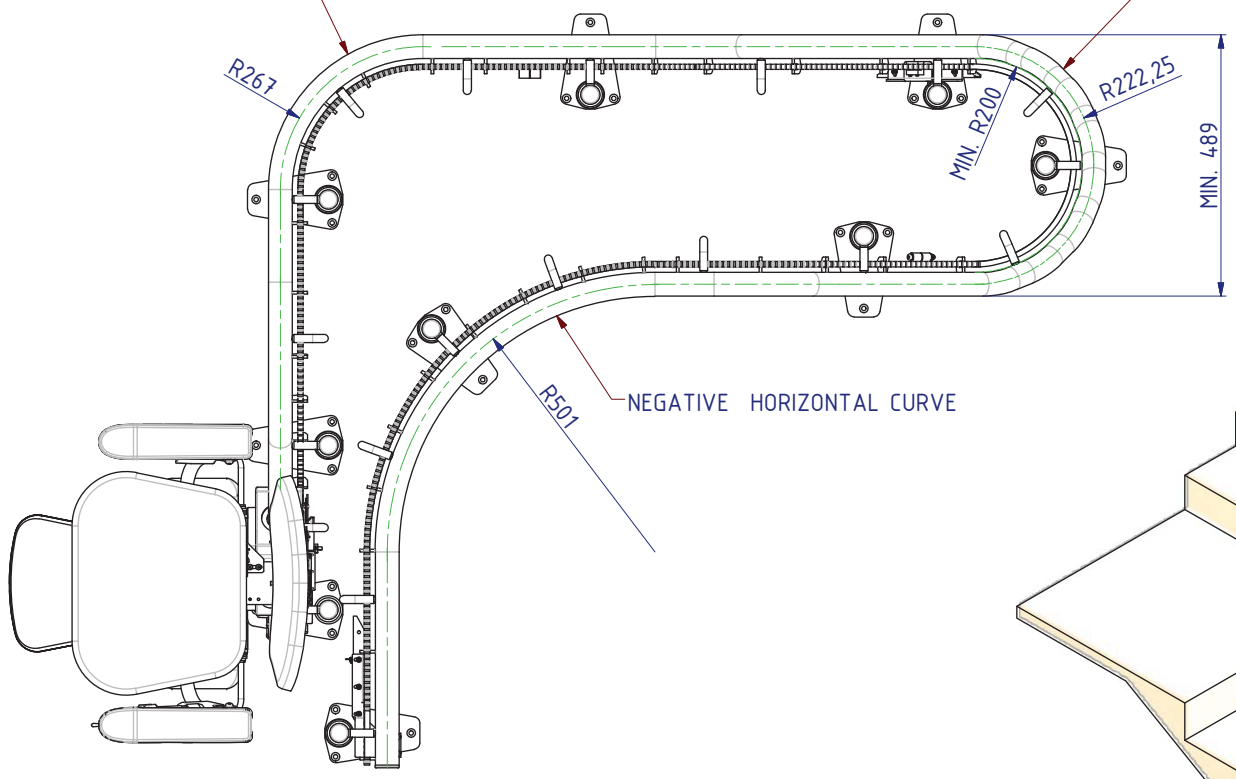


0 50 100

POSITIVE HORIZONTAL CURVE

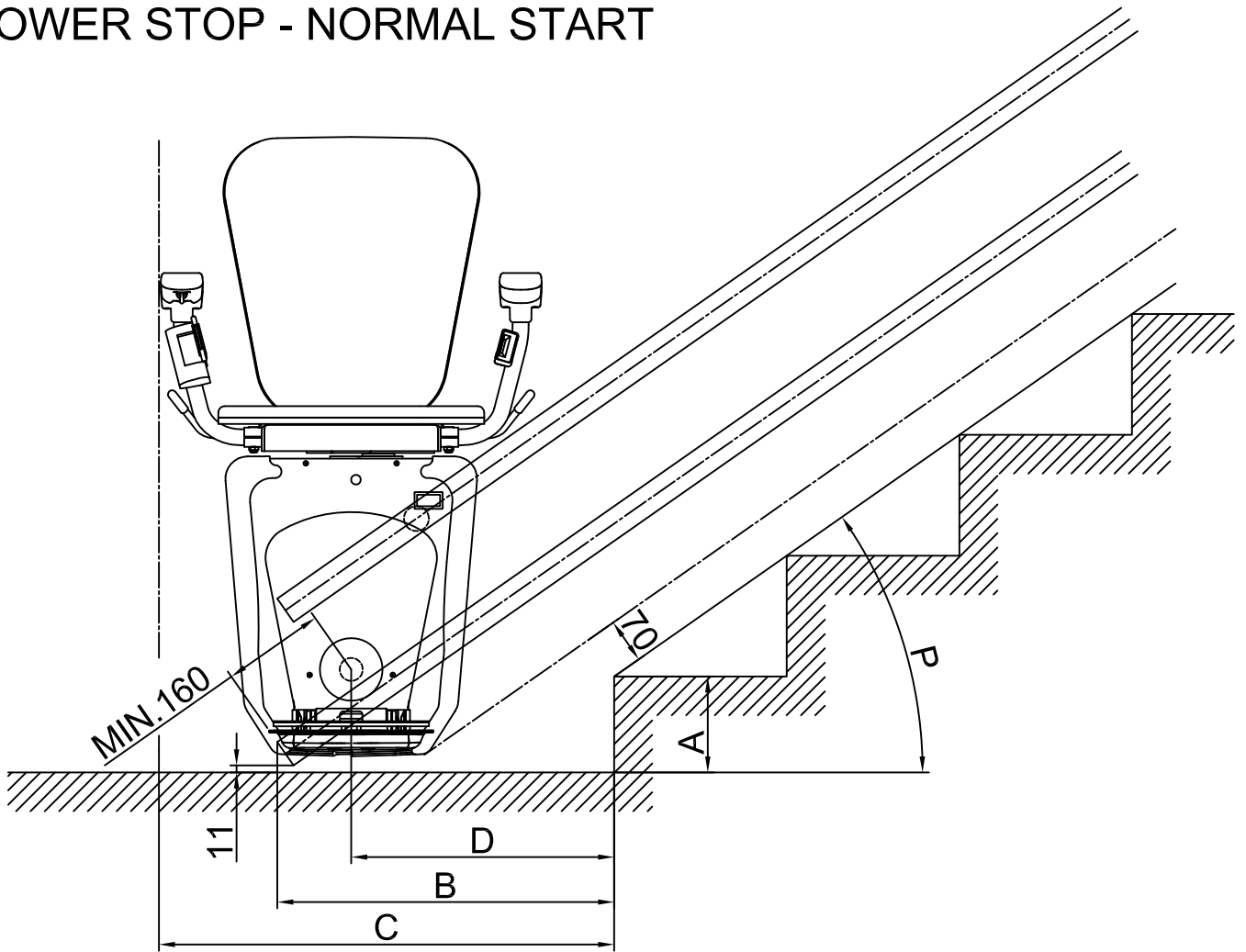
POSITIVE CLIMBING CURVE



CURVE DIMENSIONS

STAIRLIFT ALPHA

LOWER STOP - NORMAL START



40°	468	663	362	486	679	380	509	703	404
35°	527	712	411	548	732	433	577	760	461
30°	607	783	481	632	807	507	667	841	542
25°	711	880	578	744	910	610	787	952	653
P	B	C	D	B	C	D	B	C	D
	A=150			A=165			A=180		

A ... HEIGHT OF THE FIRST STEP

B ... RAIL OVERHANG

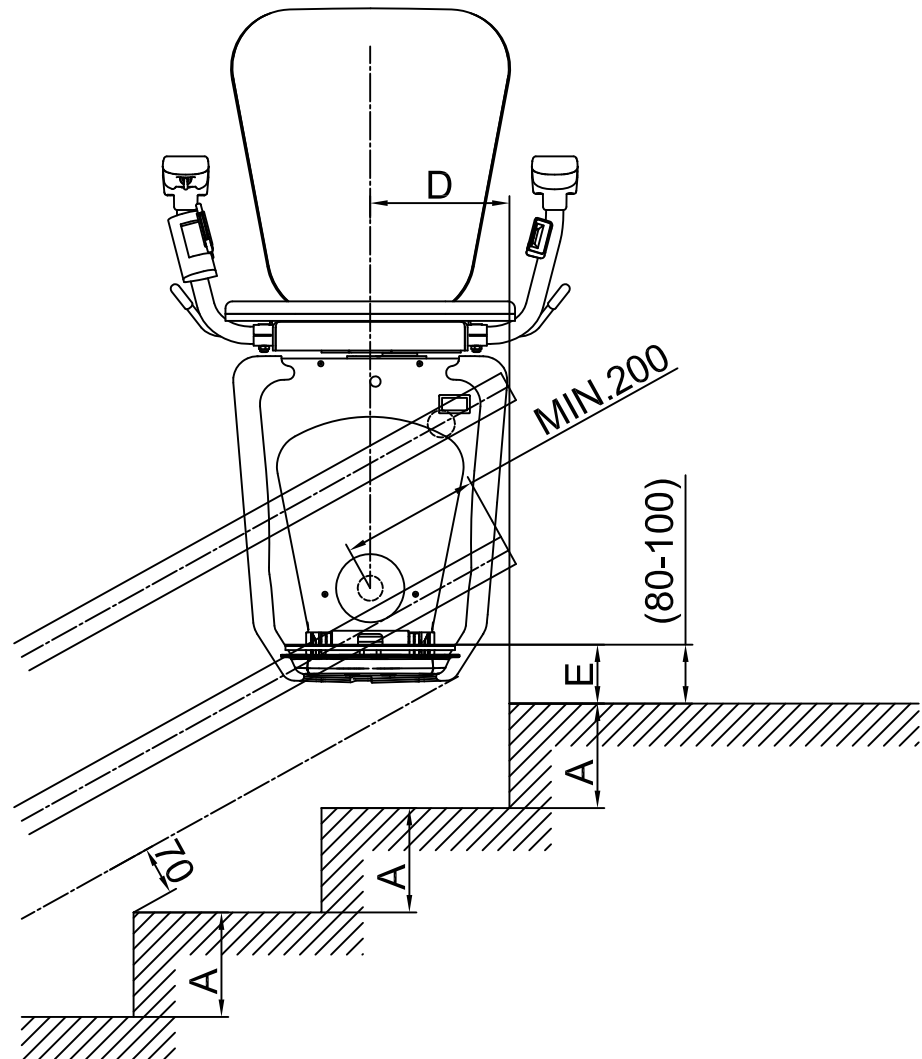
C ... SPACE FOR CHAIRLIFT

D ... STOP POSITION

P ... STAIRCASE INCLINATION

ALPHA

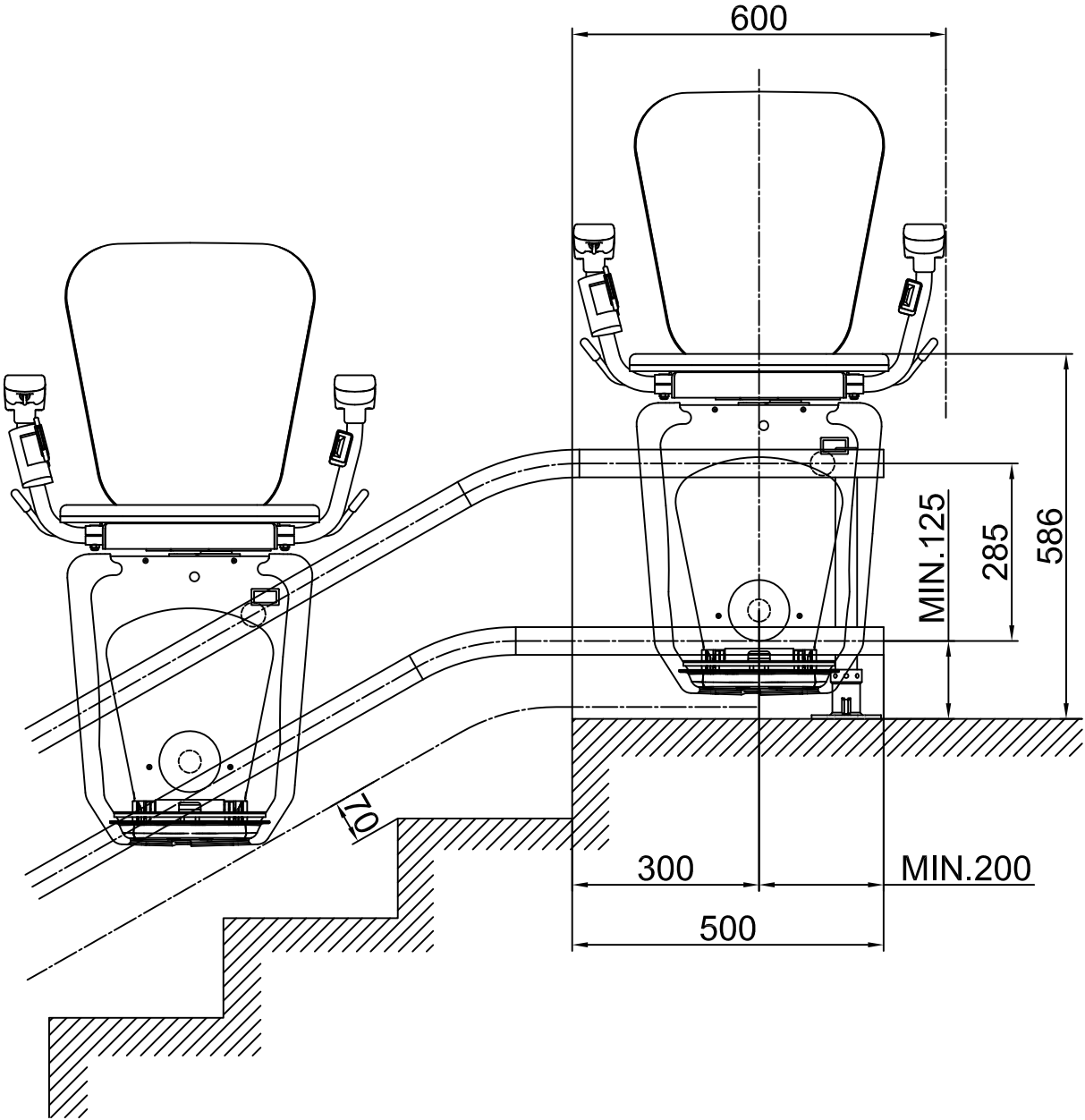
UPPER STOP LOCATED AT THE EDGE OF LAST STEP



HEIGHT OF STEPS A	STOP POSITION D	FOOTREST HEIGHT E
150	200	85
165	190	88
185	180	93

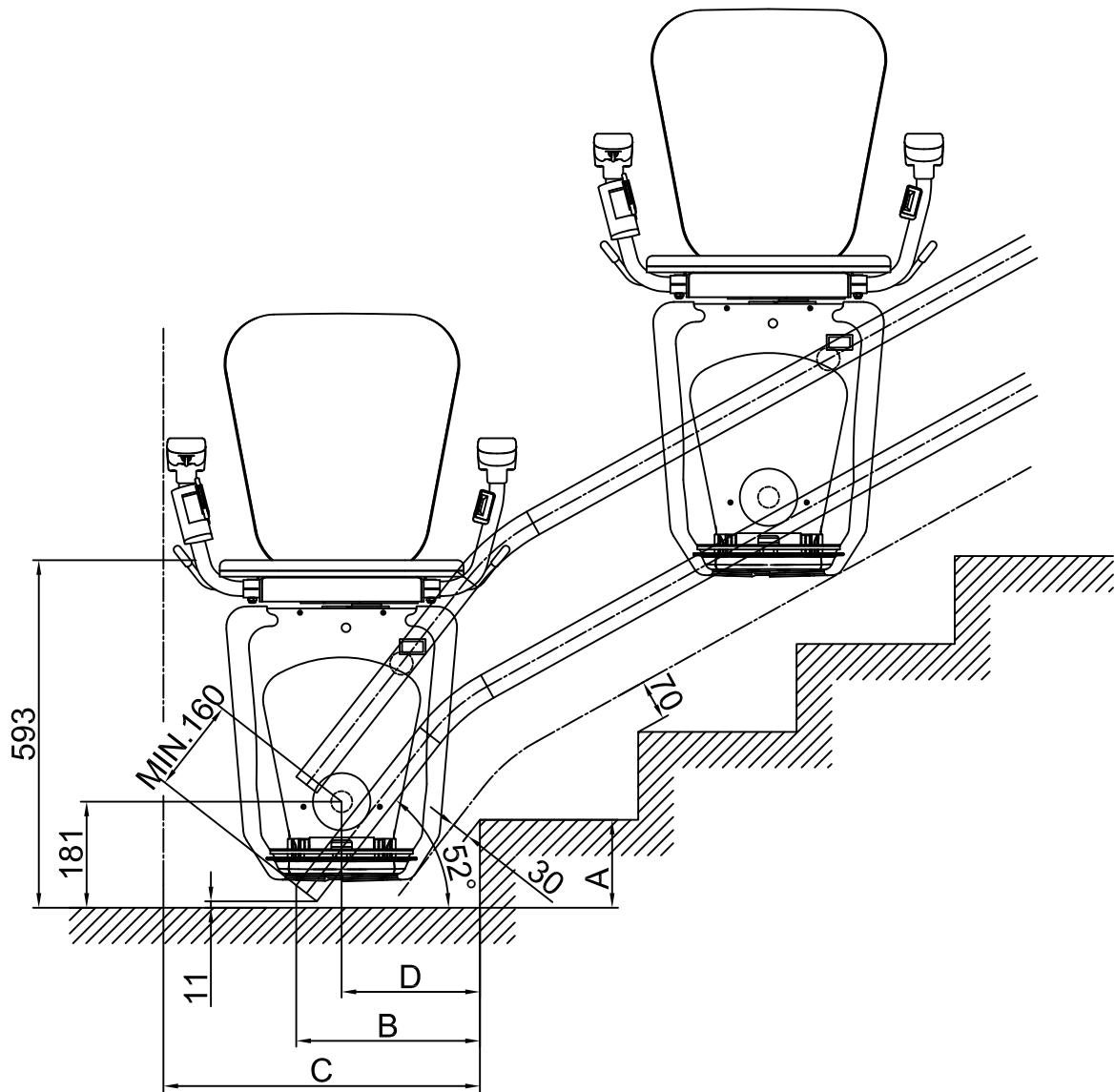
ALPHA

UPPER STOP LOCATED BEHIND THE EDGE OF LAST STEP ON HORIZONTAL PART



ALPHA

LOWER STOP - STEEP START



FIRST STEP HEIGHT A	RAIL OVERHANG B	SPACE FOR CHAIRLIFT C	STOP POSITION D
150	313	540	236
165	325	550	248
185	341	565	263